

Push/Pull Valves



Push/Pull spool valves are available in both 3- and 4-way configurations. The Detent version maintains spool position by friction, while the Momentary spring returns to the home position.

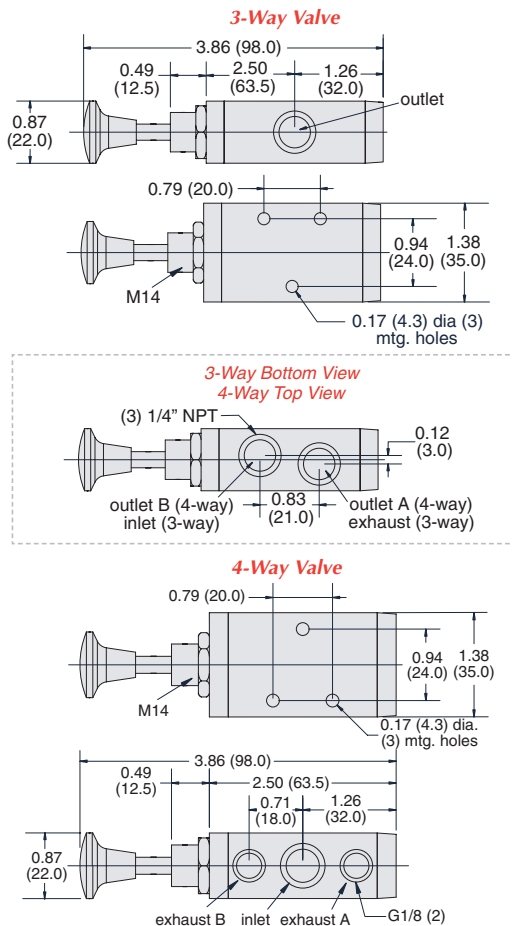
Operating Pressure: 0 to 115 psig **Cv:** 0.89

Ports: 1/4" NPT, 1/8" NPT exhaust

Operating Temperature: 32 to 140°F (0 to 60°C)

Mounting: Panel or base mount

Part No.	Description
MMV-P3QD	3-Way, 3 Port Detented Push/Pull Valve
MMV-P4QD	4-Way, 5 Port Detented Push/Pull Valve
MMV-P4QM	4-Way, 5 Port Momentary Push/Pull Valve



Lever Valves

Lever valves are available in both 3- or 4-way spool valves with 1/4" NPT ports. They have either a Detented or Momentary manual operation.

Operating Pressure: 0 to 150 psig

Cv: Detented: 1.0
Momentary: 0.89

Port Size: 1/4" NPT

Operating Temperature: 32 to 140°F (0 to 60°C)

Mounting: Panel or base mount



Part No.	Description
MMV-L4QD	4-Way, 2-Position Detented Lever Valve
MMV-L4QM	4-Way, 2-Position Momentary Lever Valve
MMV-L3QD	3-Way, 2-Position Detented Lever Valve
MMV-L3QM	3-Way, 2-Position Momentary Lever Valve
MMV-L4QM-C	4-Way, 3-Position Momentary Lever Valve, Closed Center

